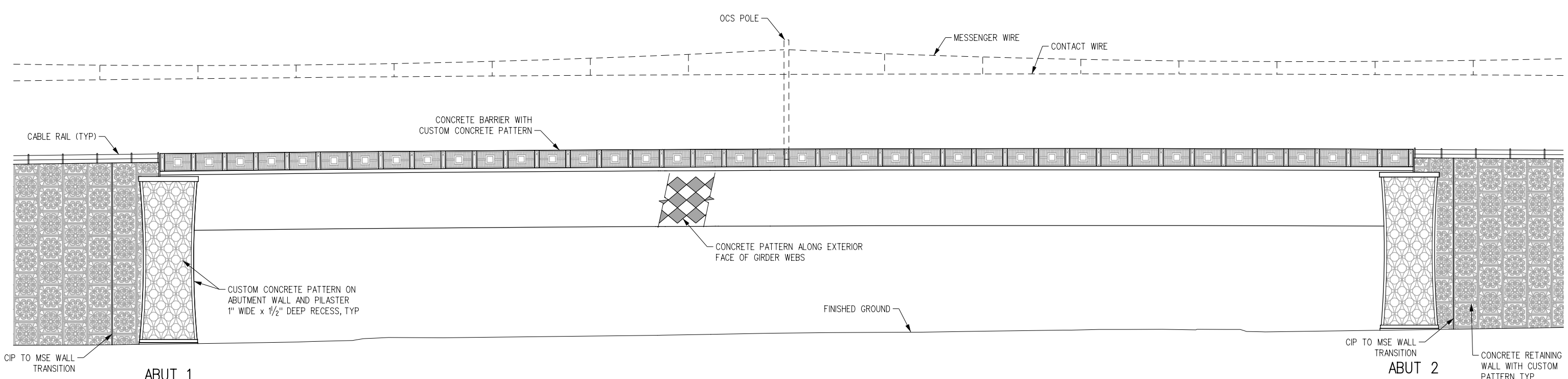
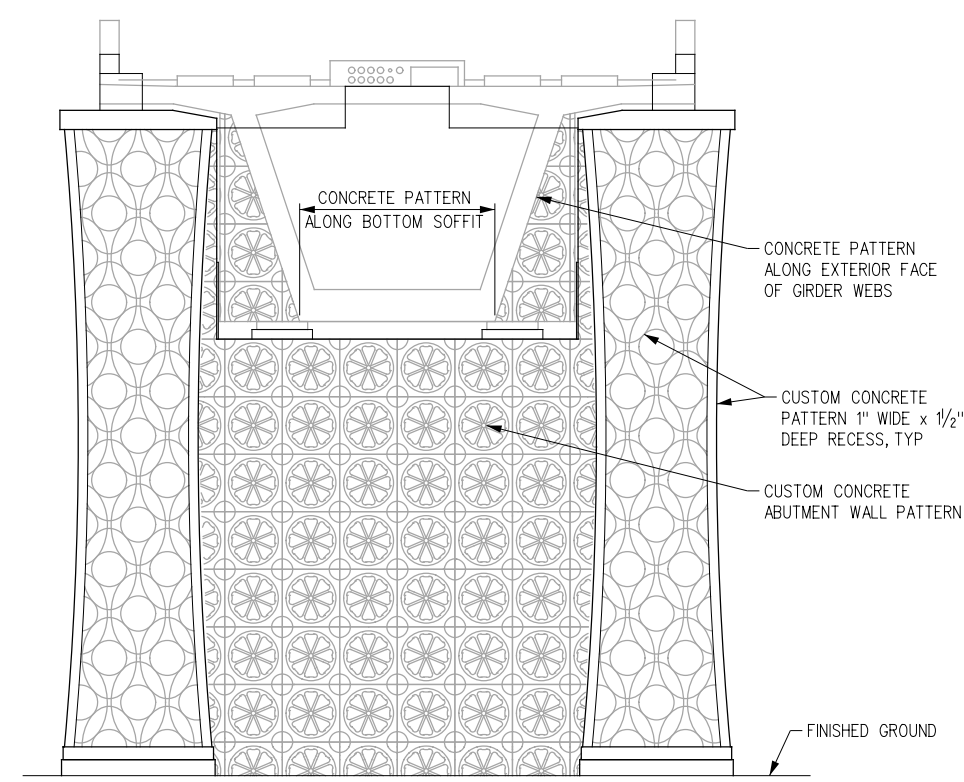


c:\pw_working\foothill2b\parsons_epw17452\dms00639\C2002_S-01-027.plg 6/18/2020 12:57:32 PM Metro_PDF.pltcfgr L.A.Metro_Half.tbl

c:\pw_working\foothill2b\parsons_epw17452\dms00639\C2002_S-01-027.plg 6/18/2020 12:57:32 PM

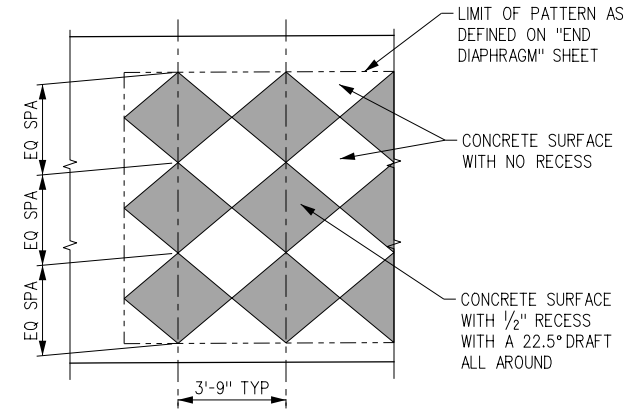


ELEVATION
NO SCALE

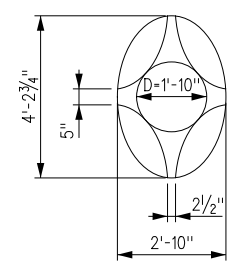


ABUTMENT ELEVATION

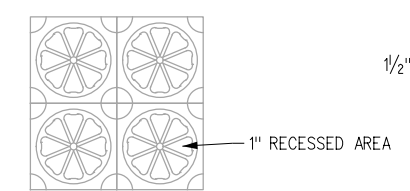
LOOKING BACK STATION AT ABUTMENT 1 SHOWN, ABUTMENT 2 SIMILAR.
NO SCALE



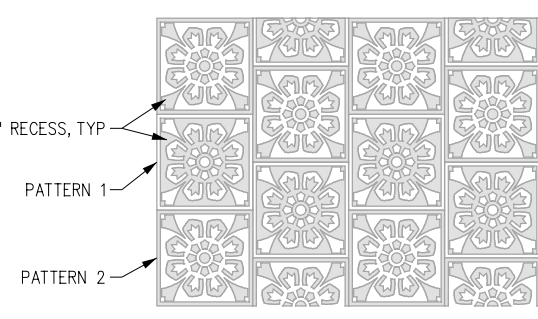
DETAIL - CONCRETE GIRDER PATTERN
NO SCALE



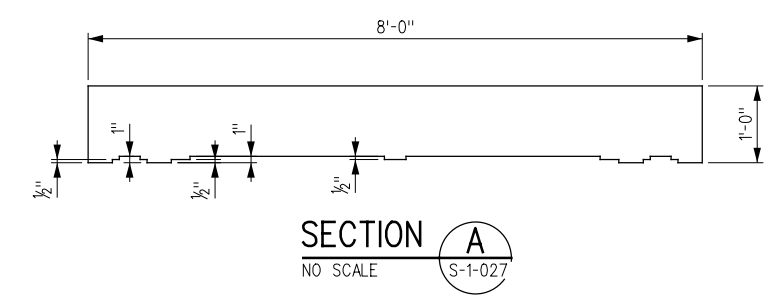
DETAIL - PILASTER PATTERN
NO SCALE



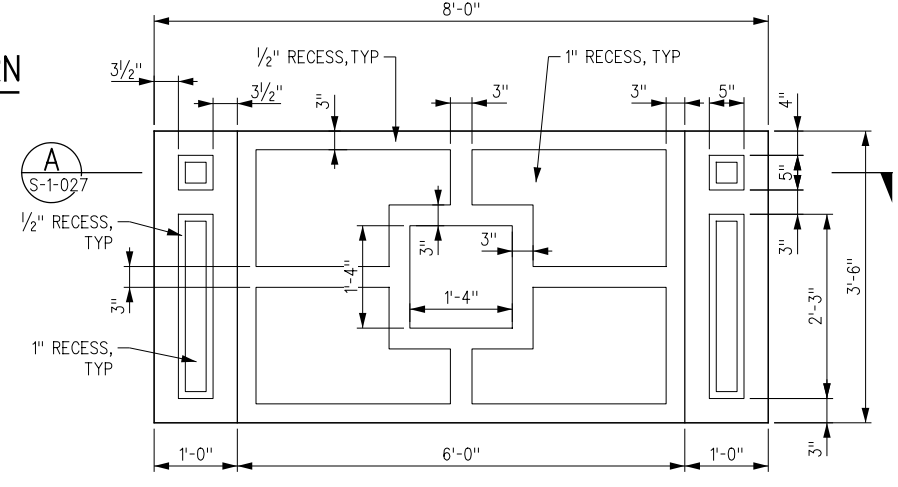
DETAIL - ABUTMENT WALL PATTERN
NO SCALE



DETAIL - RETAINING WALL PATTERN
NO SCALE



SECTION A
NO SCALE



DETAIL - CONCRETE BARRIER PATTERN
NO SCALE

DESIGNED BY	K. FORARS
DRAWN BY	S. STREDAK
CHECKED BY	D. GETTER
APPROVED BY	K. OKAMITSU
DATE	6/29/20

REV	DATE	DESCRIPTION
A	6/29/20	85% SUBMITTAL



KIEWIT-PARSONS, A JV

85% - NOT FOR CONSTRUCTION
Authority

GOLD LINE FOOTHILL EXTENSION
PHASE 2B
LRT-FOOTHILL/GRAND INTERSECTION
AESTHETIC DETAILS

CONTRACT NO	C2002
DRAWING NO	S-1-027
SCALE	AS SHOWN
SHEET NO	